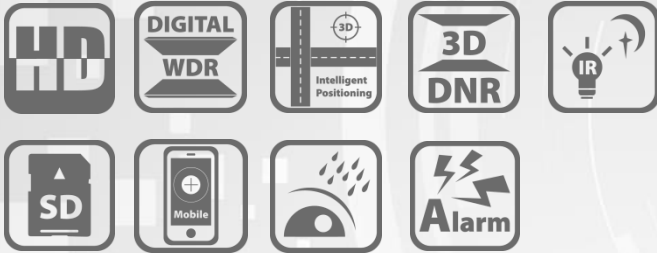


DS-2DE5220IW-AE 2MP 20X Network IR PTZ Dome Camera



Hikvision DS-2DE5220IW-AE PTZ Dome Cameras are able to capture high quality images in low light environment with its black anti-reflective glass. The black anti-reflective glass increase the luminousness which can reach up to 150m IR distance.

Embedded with 1/2.8" progressive scan CMOS chip makes DWDR and 2MP real-time resolution possible. With the 20X optical zoom Day/Night lens, the camera offers more details over expansive areas.

Hikvision DS-2DE5220IW-AE PTZ Dome Cameras also features a wide range of functions, including intrusion detection, line crossing detection and audio exception, benefitting users with great improvement on security efficiency, more importantly, with key events / objects being recorded for further forensic needs.

Key Features

- 1/2.8" Progressive Scan CMOS
- 1920 x 1080
- 20X Optical Zoom
- DWDR
- 3D intelligent positioning function
- Support cloud P2P
- Up to 150m IR distance
- Hi-PoE / 24VAC power supply
- Support BNC output



DS-2DE5220IW-AE

2MP 20X Network IR PTZ Dome Camera



Function Description

Basic function:

- High performance sensor, up to 1920 x 1080 resolution
- $\pm 0.1^\circ$ Preset Accuracy
- ONVIF(Open Network Video Interface Forum), CGI(Common Gateway Interface), PSIA(Physical Security Interoperability Alliance), to ensure greater interoperability between different platforms and compatibility
- 3D intelligent positioning function
- Power-off memory function: restore PTZ & Lens status after reboot
- IP66 standard
- Support cloud P2P

Functions:

- Detections: intrusion detection, line crossing detection, audio exception detection, motion detection
- Recording: edge recording, support smart search in smart NVR
- Support low bit rate, ROI

Camera function:

- Auto iris, auto focus, auto white balance, backlight compensation and auto day & night switch
- Min. Illumination: 0.02Lux@(F2.0,AGC ON)(Color), 0.002Lux@(F2.0,AGC ON)(B/W), 0Lux with IR
- Support 8 privacy masks

PTZ function:

- 360° endless pan range and -15° -90° tilt range
- 400° /s Pan Preset Speed and 200° /s Tilt Preset Speed
- 0.1° -400° /s Manual Pan Speed and 0.1° -200° /s Manual Tilt Speed
- 300 presets programmable; preset image freezing capability
- 8 patrols, up to 32 presets per patrol

Network function:

- H.264/ MJPEG video compression and the latest processing chip and platform
- Built-in Web server

- Support Micro SD card local storage, up to 128GB
- Support up to 8 NAS storage; Transmit the videos from SD card to the NAS after network resumed
- HTTPS encryption and IEEE 802.1X port-based network access control
- Support three stream;H.264/ MJPEG video compression; Basic and advanced video configuration; Real time video at 1080P
- Multiple network protocols supported: IPv4/IPv6, HTTP, HTTPS, 802.1X, QoS, FTP, SMTP, UPnP, SNMP, DNS, DDNS, NTP, RTSP, RTP, TCP, UDP, IGMP, ICMP, DHCP, PPPoE
- 1 audio input and 1 audio output
- 2 alarm input and 1 alarm output, alarm linkage support preset, patrol, pattern, recording, relay output, upload center, etc.

IR function:

- 0 Lux minimum illumination
- Up to 150m IR distance
- IR light MTBF reaching up to 30,000 hours
- Smart IR mode

DS-2DE5220IW-AE

2MP 20X Network IR PTZ Dome Camera



Model	DS-2DE5220IW-AE
Camera Module	
Image Sensor	1/2.8" Progressive Scan CMOS
Min. Illumination	F1.5, AGC On: Color: 0.02 lux, B/W : 0.002 lux, 0 lux with IR
Max. Image Resolution	1920 x 1080
Focal Length	4.7-94.0mm, 20x
Digital Zoom	16X
Zoom Speed	Approx.3s(Optical Wide~Tele)
Angle of View	58.3-3.2 degree (Wide~Tele)
Min. Working Distance	10~1,000mm(Wide~Tele)
Aperture Range	F1.6~F3.5
Focus Mode	Auto / Semiautomatic / Manual
DWDR	Support
Shutter Time	1-1/10,000s
AGC	Auto / Manual
White Balance	Auto / Manual /ATW/Indoor/Outdoor/Daylight lamp/Sodium lamp
Day & Night	IR Cut Filter
Privacy Mask	8 privacy masks programmable
Enhancement	3D DNR, Defog, HLC/BLC
Pan and Tilt	
Range	Pan:360° endless; Tilt: -15°~90°(Auto Flip)
Speed	Pan Manual Speed: 0.1°~400°/s, Pan Preset Speed: 400°/s Tilt Manual Speed: 0.1°~200°/s, Tilt Preset Speed: 200°/s
Number of Preset	300
Patrol	8 patrols, up to 32 presets per patrol
Pattern	4 pattern scans, record time over 10 minutes for each scan
Park Action	Preset / Patrol / Pattern / Pan scan / Tilt scan / Random scan / Frame scan / Panorama scan
Scheduled Task	Auto scan / Frame scan / Random scan / Patrol / Pattern / Preset / Panorama scan / Tilt scan / Dome reboot / Dome adjust / Aux output
Features	
Detection	Intrusion detection, Line crossing detection, Audio exception detection, Motion detection
ROI encoding	Support 4 areas with adjustable levels
Infrared	
IR Distance	Up to 150m
IR Intensity	Automatically adjusted, depending on the zoom ratio
Alarm	
Alarm I/O	2/1
Alarm Trigger	Network disconnect, IP address conflict, Storage exception
Alarm Action	Preset, Patrol, Pattern, Recording, Relay output, Upload center, Upload FTP, Email linkage
Input/Output	
Audio Input	1 Mic in/Line in interface, line input: 2-2.4V[p-p]; output impedance: 1KΩ, ±10%
Audio Output	1 Audio output interface, line level, impedance: 600Ω
Network	
Ethernet	10Base-T / 100Base-TX, RJ45 connector
Stream	Support three streams
Main Stream	50Hz:25fps (1920×1080,1280×960,1280×720), 50fps (1280×960,1280×720) ; 60Hz: 30fps(1920×1080,1280×960,1280×720), 60fps (1280×960,1280×720)

DS-2DE5220IW-AE

1.3MP/2MP 20X Network IR PTZ Dome Camera

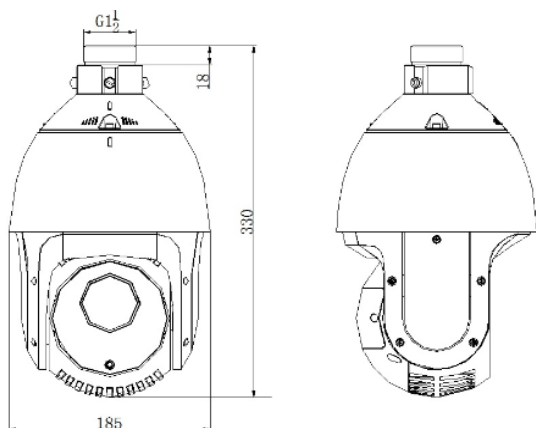


Sub Stream	50Hz:25fps(704×576,640×480,352×288);60Hz:30fps(704×480,640×480,352×240)
Three Stream	50Hz:25fps (1920×1080,1280×960,1280×720,704×576,640×480,352×288); 60Hz: 30fps(1920×1080,1280×960,1280×720,704×480,640×480,352×240)
Image Compression	H.264/MJPEG
Audio Compression	G.711ulaw/G.711alaw/G.726/MP2L2/G.722
Protocols	IPv4/IPv6, HTTP, HTTPS, 802.1X, QoS, FTP, SMTP, UPnP, SNMP, DNS, DDNS, NTP, RTSP, RTP, TCP, UDP, IGMP, ICMP, DHCP, PPPoE
Simultaneous Live View	Up to 20 users
Mini SD Memory Card	Support up to 128GB Micro SD/SDHC/SDXC card. Support Edge recording
User/Host Level	Up to 32 users,3 Levels: Administrator, Operator and User
Security Measures	User authentication (ID and PW); Host authentication (MAC address); IP address filtering

System Integration

Application programming	Open-ended API, support ONVIF, PSIA and CG , Support cloud P2P
Web Browser	IE 7+, Chrome 18 +, Firefox 5.0 +, Safari 5.02 +
Power	High-PoE&24 VAC, Max.32W
Working Temperature	-30° C ~ 65° C (-22° F ~ 149° F)
Humidity	90% or less
Protection Level	IP66, TVS 4,000V lightning protection, surge protection and voltage transient protection
Certification	FCC, CE, UL, RoHS, IEC/EN 61000, IEC/EN 55022, IEC/EN 55024, IEC /EN60950-1
Dimensions	Φ185(mm)×330(mm)
Weight (approx.)	4kg (8.81lbs)
Mount Option	Long-arm wall mount: DS-1602ZJ; Corner mount: DS-1602ZJ-corner; Pole Mount: DS-1602ZJ-pole; Power box mount:DS-1602ZJ-box; Swan-neck mount: DS-1619ZJ

Dimensions



Unit:mm

Accessories



DS-1602ZJ
Wall Mount



DS-1602ZJ-Conner
Conner Mount



DS-1602ZJ-Pole
Pole Mount



DS-1602ZJ-Box
Box Mount



DS-1663ZJ
Ceiling mount



DS-1661ZJ
Pendant mount



DS-1662ZJ
Pendant mount



DS-1619ZJ
Swan-neck Mount



DS-1100KI
Network Keyboard



DS-1005KI
USB Joy-stick